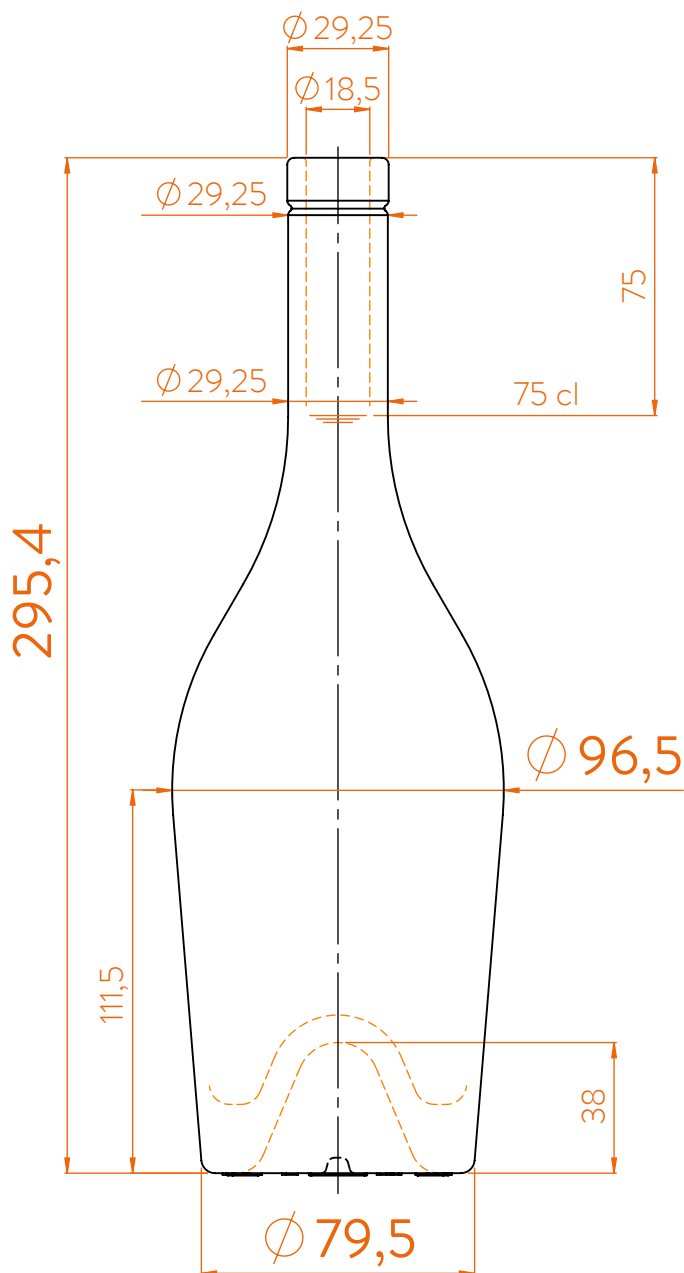


# DA OPERA<sup>®</sup>

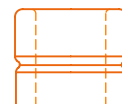
# estal

www.estal.com

+ 34 972 821 676



Modelo registrado/  
Registered model/  
Modèle enregistré/



Track-Ring Long

- EXTRAFLINT
- FLINT WILD GLASS
- DARK WILD GLASS



## DATOS TÉCNICOS TECHNICAL DATA DONNÉES TECHNIQUES

**Peso / Weight / Poids**

750 gr

**Altura total / Total height / Hauteur totale**

295,4 mm

**Diámetro del cuerpo / Body diameter / Diamètre du corps**

79.5/96.5 mm

**Ø interno boca / Ø inner mouth / Ø intérieur bouche**

18,5 mm

**Capacidad a verter / Brimfull / Capacité ras-bord**

773 ml

## 75 cl

*At first the DA OPERA TRACK RING range is proposed in 75/70 cl.  
Following business opportunities, other sizes (from miniature 5cl to big size 300cl) will be added to the range.*

The elements detailed in this document are not contractual. They are only indicative.